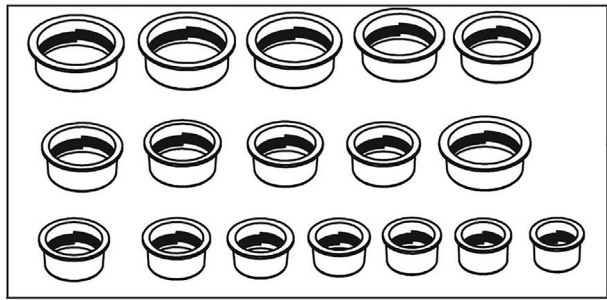
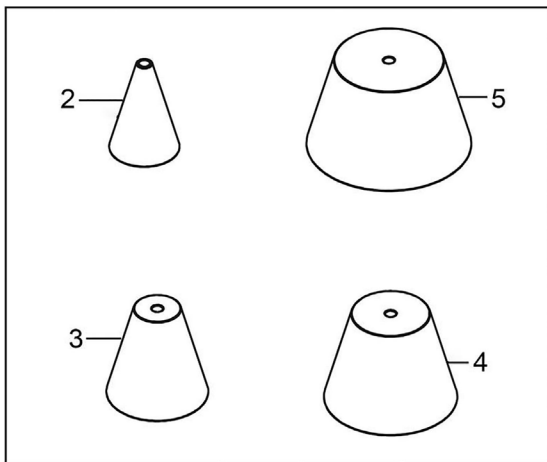
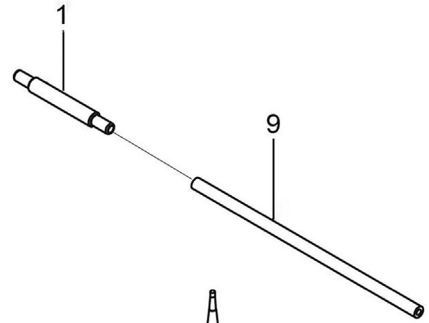




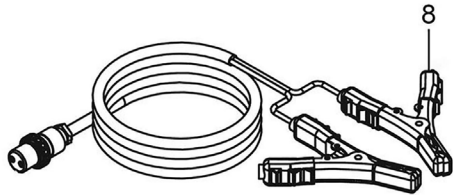
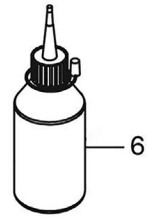
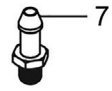
Parts Information:  
**Smoke Diagnostic Tool - Leak Detector**  
**Model No: VS870.V3**



10



02-05



Item	Part No.	Description
1	VS870.V2-01	Aluminium Joint
02-05	VS870.02-05	Rubber Cone (Set of 4)
6	VS870.V2-06	Bottle
7	VS870.V2-07	Adaptor

Item	Part No.	Description
8	VS0207.16	Power Cable (c/w Pos & Neg Clamps)
9	VS870.V2-09	Tube 4x8mm
10	VS870.V2-10	Rubber stopper Set (17pcs)

**NOTE:** It is our policy to continually improve products and as such we reserve the right to alter data, specifications and component parts without prior notice. There may be alternative versions of this product, please contact us should you require this information.

**IMPORTANT:** No liability is accepted for incorrect use of product. Spare parts must be fitted by a competent person

**WARRANTY:** Guarantee is 12 months from purchase date, proof of which will be required for any claim.

Sealey Group, Kempson Way, Suffolk Business Park, Bury St Edmunds, Suffolk. IP32 7AR



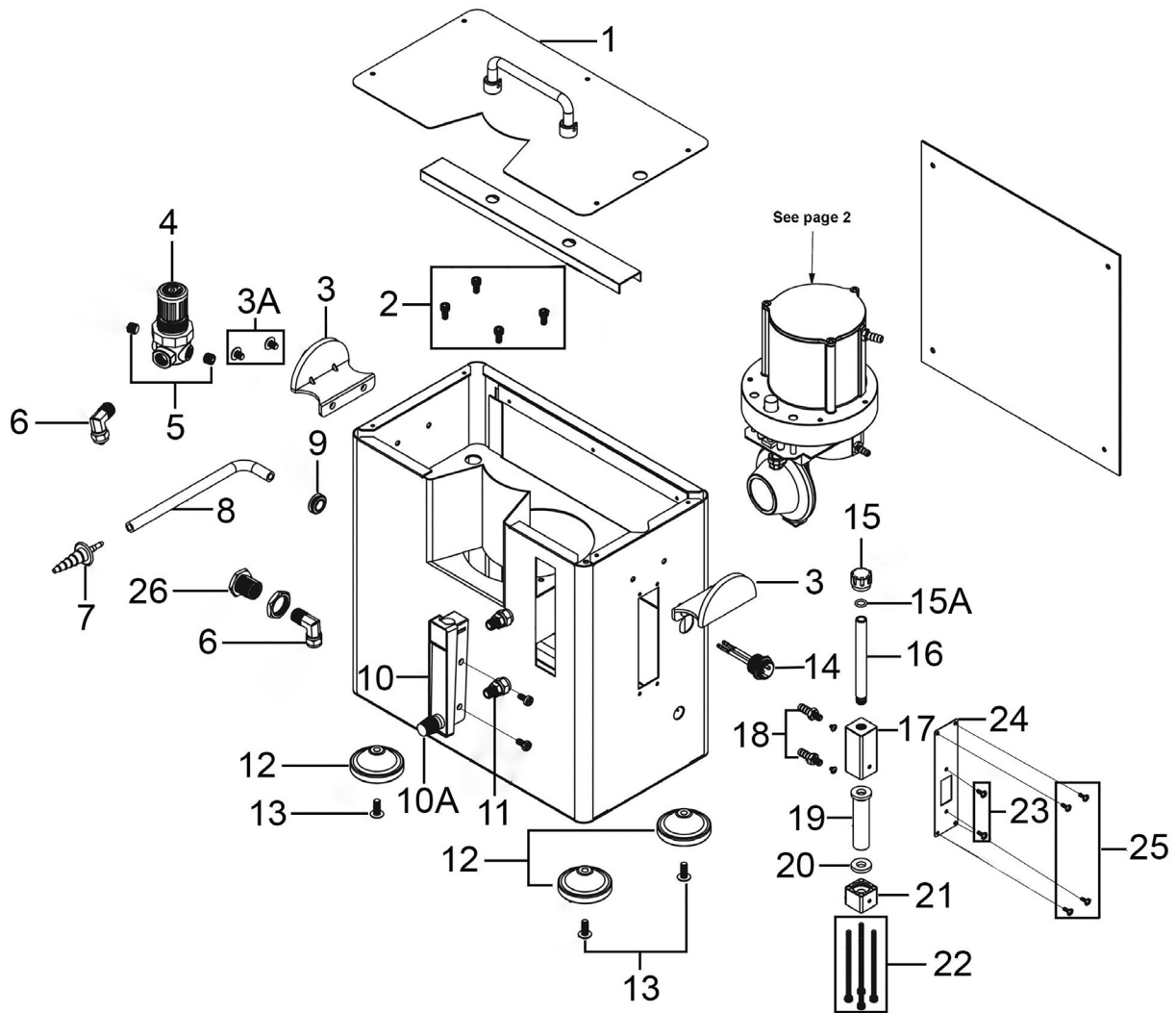
01284 757500



sales@sealey.co.uk



www.sealey.co.uk



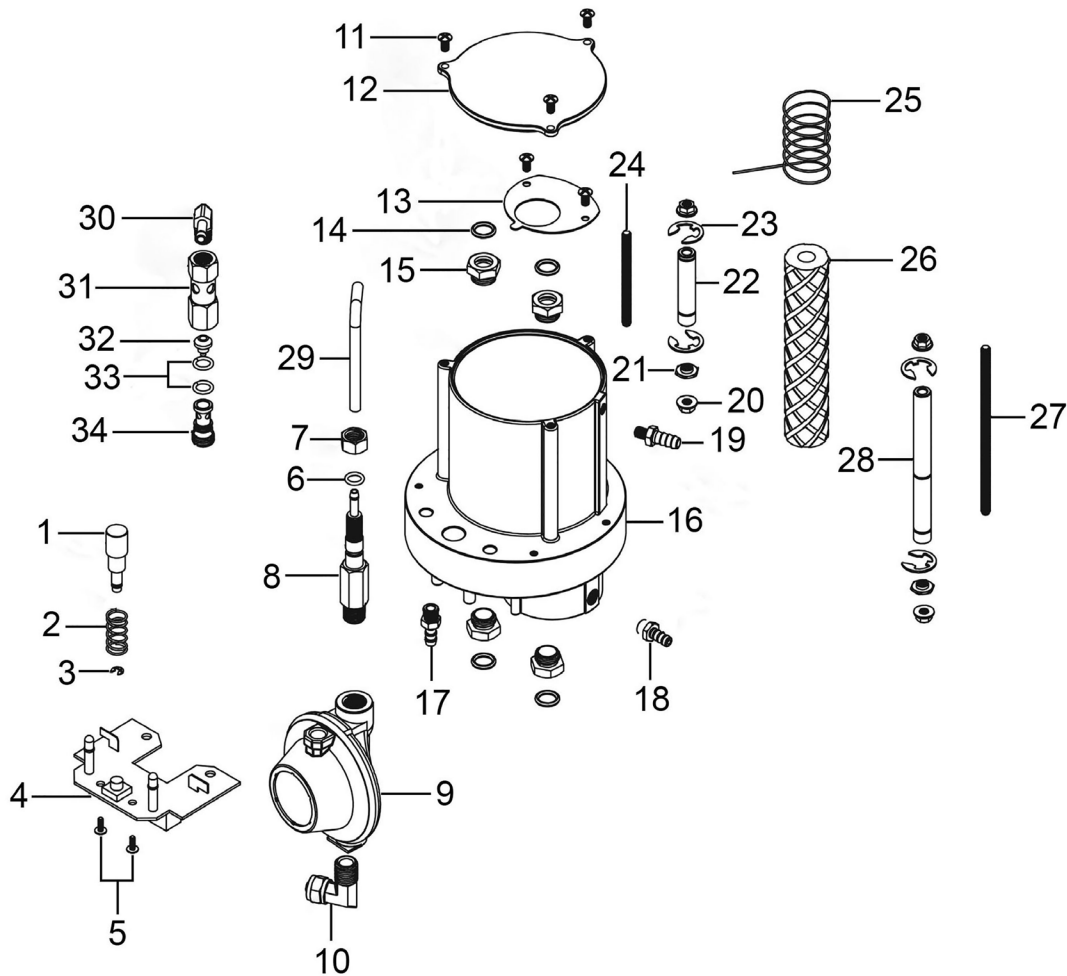
Item	Part No.	Description
1	VS870.U01	Top Cover
2	VS870.U02	Screw M5x10 (Set of 4)
3	VS870.U03	Hose Holder (Black) (Set of 2)
3A	VS870.U03A	Screw M5x10 (Set of 4)
4	VS870.U04	Pressure Valve
5	VS870.U05	Hex Bolt (Set of 2)
6	VS870.U06	Adaptor 1/4pt 6mm 'set of 3'
7	VS870.V2-U07	Adaptor
8	VS870.U08	Oil pipe 4.8m/m
9	VS870.U09	Clip (Set of 2)
10	VS870-V3-U10	Flow Meter
10A	VS870-V3-U10A	Knob for Flow Meter
11	VS870.U11	Adaptor 1/8pt 6mm & nut
12	VS870.U12	Foot (Set of 4)
13	VS870.U13	Screw M6x15 (Set of 4)

Item	Part No.	Description
14	VS870.U14	Power Connector (female)
15	VS870.V2-U15	Knob, Oil Cup, Chrome, OD: 18mm L: 15mm, 10mm Female Fitting
15A	VS870.U15A	O-Ring, P10 (Ex: 14.38 In: 10.82 Cs: 1.78)
16	VS870.V2-U16	Tube
17	VS870.V2-U17	Tube Block (Upper)
18	VS870.V2-U18	Pump Connector
19	VS870.U19	Acrylic tube (15x11x36mm)
20	VS870.U20	Washer (set of 2)
21	VS870.V2-U21	Tube Block (Lower)
22	VS870.U22	Screw M4x55 (Set of 4)
23	VS870.U23	Screw M3x4 (Set of 2)
24	VS870.U24	Fixed Support
25	VS870.U25	Screw M4x8 (Set of 4)
26	VS870.V2-U26	Connector

**NOTE:** It is our policy to continually improve products and as such we reserve the right to alter data, specifications and component parts without prior notice. There may be alternative versions of this product, please contact us should you require this information.

**IMPORTANT:** No liability is accepted for incorrect use of product. Spare parts must be fitted by a competent person

**WARRANTY:** Guarantee is 12 months from purchase date, proof of which will be required for any claim.



Item	Part No.	Description
1	VS870.V2-P01	Power Switch Button
2	VS870.V2-P02	Switch Spring
3	VS870.V2-P03	E-Ring
4	VS870.V2-P04	PCB,Circuit Board, 85 X 65mm c/w Switch & LED x2
5	VS870.V2-P05	Flat Head Screw M3x8
6	VS870.V2-P06	Hex Nut
7	SA802.23	O-ring, (Ex: 9.63 In: 6.07 Cs: 1.78)
8	VS870.V2-P08	Air Inlet
9	VS870.V2-P09	Gas Regulator
10	VS870.V2-P10	Elbow 1/4"pt 90 deg
11	VS870.V2-P11	Flat Head Screw M4x8
12	VS870.V2-P12	Top Cover
13	VS870.V2-P13	Gasket for Top Cover
14	VS870.V2-P14	O-Ring 11x2
15	VS870.V2-P15	Rod Holder
16	VS870.V2-P16	Tank
17	VS870.V2-P17	Air inlet 1/8ps 6mm

Item	Part No.	Description
18	VS870.V2-P18	Air inlet 1/8pt
19	VS870.V2-P19	Pneumatic Coupling
20	FN5.S	Flange Nut M5
21	VS870.V2-P21	Stud Fixing Gasket
22	VS870.V2-P22	Stud Protection (Short)
23	VS870.V2-P23	E-Ring
24	VS870.V2-P24	Stud M5 (Short)
25	VS870.06	Heating Wire
26	VS870.V2-P26	Fibreglass Element
27	VS870.V2-P27	Stud M5 (Long)
28	VS870.V2-P28	Stud Protection (Long)
29	VS870.V2-P29	Clear tube 4x6x95mm
30	VS870.V2-P30	Elbow 90deg
31	VS870.V2-P31	Valve Seat (Upper)
32	VS870.V2-P32	Valve Packing
33	GSA08.09-4	O-ring, (Ex: 11.21 In: 7.65 Cs: 1.78)
34	VS870.V2-P34	Valve Seat (Lower)

**NOTE:** It is our policy to continually improve products and as such we reserve the right to alter data, specifications and component parts without prior notice. There may be alternative versions of this product, please contact us should you require this information.

**IMPORTANT:** No liability is accepted for incorrect use of product. Spare parts must be fitted by a competent person

**WARRANTY:** Guarantee is 12 months from purchase date, proof of which will be required for any claim.